



■ Inhalt:

- | Werkzeughalter DIN 69880
- | Stangengreifer
- | Kurzbohrfutter
- | Mitlaufende Zentrierspitzen
- | Pendelhalter
- | Räumwerkzeughalter
- | Werkstückanschläge
- | Prüfdorne
- | Einrichtehalter
- | Reduzierbuchsen, Kugelspritzdüsen, O-Ringe
- | Schutzstopfen

■ Content:

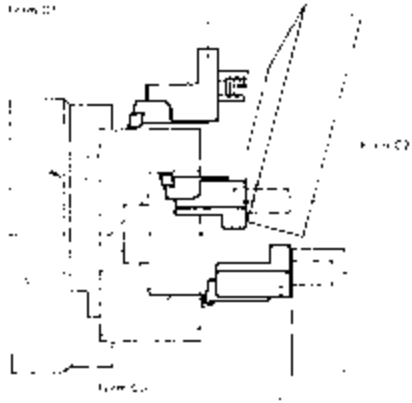
- | Tool holders DIN 69880
- | Bar pullers
- | Universal drill chucks
- | Revolving tailstock centres
- | Floating chucks
- | Broach tool holders
- | Work piece stops
- | Test arbors
- | Setting holders
- | Reduction sleeves, ball spray nozzles, O-rings
- | Protective plugs

VDI-Halter

VDI-Tool holders

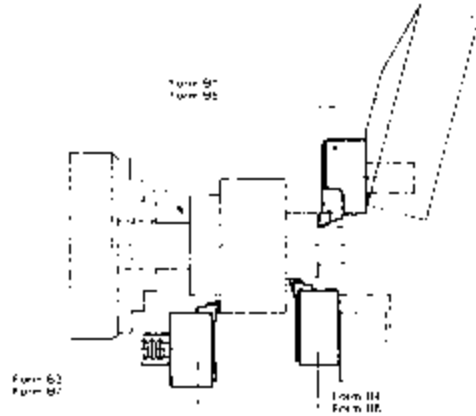
Einsatz von Axial-Werkzeughaltern bei linker Spindeldrehrichtung

Application of axial tool holders with left-hand spindle rotation



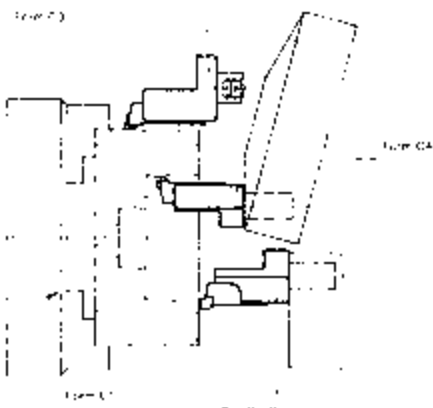
Einsatz von Radial-Werkzeughaltern bei linker Spindeldrehrichtung

Application of radial tool holders with left-hand spindle rotation



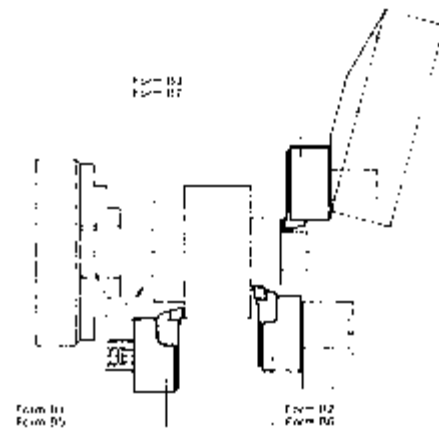
Einsatz von Axial-Werkzeughaltern bei rechter Spindeldrehrichtung

Application of axial tool holders with right-hand spindle rotation



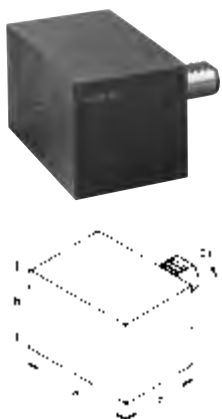
Einsatz von Radial-Werkzeughaltern bei rechter Spindeldrehrichtung

Application of radial tool holders with right-hand spindle rotation



Typ A1, Werkzeughalter-Rohling, rechteckig*

Type A1, rectangular soft blank*



d1 mm	a mm	h mm	b mm	Art.-Nr. / Order no.	EUR
16	78	44	44	● 47-A1-16-44	42,00
20	100	60	65	● 47-A1-20-65	49,10
25	100	60	75	● 47-A1-25-75	52,70
30	130	76	85	● 47-A1-30-85	68,70
40	151	96	100	● 47-A1-40-100	109,00
40	60	96	220	✘ 47-A1-40-220	151,30
50	160	120	125	● 47-A1-50-125	129,40
60	165	125	160	● 47-A1-60-160	169,80

* Material 42 CRMo 4

Typ A2, Werkzeughalter-Rohling, rund*
Type A2, round soft blank*



d1 mm	d2 mm	b mm	Art.-Nr. / Order no.	EUR
16	40	60	47-A2-16-60	26,20
20	50	70	47-A2-20-70	31,20
25	58	80	47-A2-25-80	30,00
25	58	200	47-A2-25-200	56,60
30	68	100	47-A2-30-100	32,70
30	68	240	47-A2-30-240	48,90
40	83	120	47-A2-40-120	39,50
40	83	320	47-A2-40-320	69,30
50	98	135	47-A2-50-135	58,80
50	98	400	47-A2-50-400	124,70
60	123	150	47-A2-60-150	93,00
60	123	480	47-A2-60-480	280,30

* Material: 42 CrMo 4

Typ B1, Radial-Werkzeughalter, rechts, kurz
Type B1, radial tool holder, right-hand, short



d1 mm	h2 mm	a mm	b mm	Art.-Nr. / Order no.	EUR
16	10/12	24	42	47-B1-16-12	42,60
20	12/16	30	55	47-B1-20-16	42,60
25	12/16	30	55	47-B1-25-16	44,70
30	16/20	40	70	47-B1-30-20	43,10
40	20/25	44	85	47-B1-40-25	48,40
50	25/32	55	100	47-B1-50-32	69,80
60	25/32	60	125	47-B1-60-32	104,60

Typ B2, Radial-Werkzeughalter, links, kurz
Type B2, radial tool holder, left-hand, short



d1 mm	h2 mm	a mm	b mm	Art.-Nr. / Order no.	EUR
16	10/12	24	42	47-B2-16-12	42,80
20	12/16	30	55	47-B2-20-16	42,80
25	12/16	30	55	47-B2-25-16	44,40
30	16/20	40	70	47-B2-30-20	43,50
40	20/25	44	85	47-B2-40-25	49,50
50	25/32	55	100	47-B2-50-32	71,10
60	25/32	60	125	47-B2-60-32	104,10

Typ B3, Radial-Werkzeughalter, überkopf, rechts, kurz
Type B3, radial tool holder, inverted, right-hand, short



d1 mm	h2 mm	a mm	b mm	Art.-Nr. / Order no.	EUR
16	10/12	24	42	47-B3-16-12	42,30
20	12/16	30	55	47-B3-20-16	42,50
25	12/16	30	55	47-B3-25-16	45,60
30	16/20	40	70	47-B3-30-20	44,40
40	20/25	44	85	47-B3-40-25	51,20
50	25/32	55	100	47-B3-50-32	71,70
60	25/32	60	125	47-B3-60-32	105,50

VDI-Halter

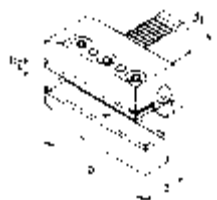
VDI-Tool holders



Typ B4, Radial-Werkzeughalter, überkopf, links, kurz

Type B4, radial tool holder, inverted, left-hand, short

d1 mm	h2 mm	a mm	b mm	Art.-Nr. / Order no.	EUR
16	10/12	24	42	● 47-B4-16-12	43,40
20	12/16	30	55	● 47-B4-20-16	43,40
25	12/16	30	55	● 47-B4-25-16	55,20
30	16/20	40	70	● 47-B4-30-20	46,90
40	20/25	44	85	● 47-B4-40-25	56,30
50	25/32	55	100	● 47-B4-50-32	73,20
60	25/32	60	125	● 47-B4-60-32	105,50



Typ B5, Radial-Werkzeughalter, rechts, lang

Type B5, radial tool holder, right-hand, long

d1 mm	h2 mm	a mm	b mm	Art.-Nr. / Order no.	EUR
16	10/12	24	58	● 47-B5-16-12	54,50
20	12/16	30	75	● 47-B5-20-16	56,50
25	12/16	30	75	● 47-B5-25-16	63,70
30	16/20	40	100	● 47-B5-30-20	67,90
40	20/25	44	118	● 47-B5-40-25	78,70
50	25/32	55	130	● 47-B5-50-32	101,40
60	25/32	60	145	● 47-B5-60-32	126,20



Typ B6, Radial-Werkzeughalter, links, lang

Type B6, radial tool holder, left-hand, long

d1 mm	h2 mm	a mm	b mm	Art.-Nr. / Order no.	EUR
16	10/12	24	58	● 47-B6-16-12	53,90
20	12/16	30	75	● 47-B6-20-16	58,40
25	12/16	30	75	● 47-B6-25-16	64,10
30	16/20	40	100	● 47-B6-30-20	67,60
40	20/25	44	118	● 47-B6-40-25	78,70
50	25/32	55	130	● 47-B6-50-32	101,40
60	25/32	60	145	● 47-B6-60-32	125,00



Typ B7, Radial-Werkzeughalter, überkopf, rechts, lang

Type B7, radial tool holder, inverted, right-hand, long

d1 mm	h2 mm	a mm	b mm	Art.-Nr. / Order no.	EUR
16	10/12	24	58	● 47-B7-16-12	54,60
20	12/16	30	75	● 47-B7-20-16	58,90
25	12/16	30	75	● 47-B7-25-16	63,30
30	16/20	40	100	● 47-B7-30-20	67,90
40	20/25	44	118	● 47-B7-40-25	78,70
50	25/32	55	130	● 47-B7-50-32	101,40
60	25/32	60	145	● 47-B7-60-32	120,50

- Lagerstandard / in stock
- ▶ innerhalb weniger Tage / within a few days
- auf Anfrage / on request
- * auslaufende Größe / as stock lasts

VDI-Halter

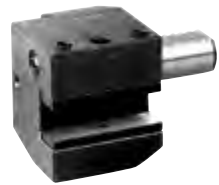
VDI-Tool holders



Typ B8, Radial-Werkzeughalter, überkopf, links, lang

Type B8, radial tool holder, inverted, left-hand, long

d1 mm	h2 mm	a mm	b mm	Art.-Nr. / Order no.	EUR
16	10/12	24	58	● 47-B8-16-12	53,60
20	12/16	30	75	● 47-B8-20-16	58,20
25	12/16	30	75	● 47-B8-25-16	57,10
30	16/20	40	100	● 47-B8-30-20	67,30
40	20/25	44	118	● 47-B8-40-25	78,70
50	25/32	55	130	● 47-B8-50-32	101,40
60	25/32	60	145	● 47-B8-60-32	133,90



Typ C1, Axial-Werkzeughalter, rechts

Type C1, axial tool holder, right-hand

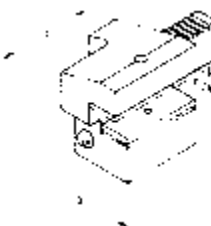
d1 mm	h2 mm	b mm	a mm	Art.-Nr. / Order no.	EUR
16	10/12	44	43	● 47-C1-16-12	47,40
20	12/16	50	52	● 47-C1-20-16	50,60
25	12/16	55	58	● 47-C1-25-16	51,40
30	16/20	70	76	● 47-C1-30-20	51,50
40	20/25	85	85	● 47-C1-40-25	64,90
50	25/32	100	100	● 47-C1-50-32	85,20
60	25/32	125	125	● 47-C1-60-32	128,40



Typ C2, Axial-Werkzeughalter, links

Type C2, axial tool holder, left-hand

d1 mm	h2 mm	b mm	a mm	Art.-Nr. / Order no.	EUR
16	10/12	44	43	● 47-C2-16-12	47,40
20	12/16	50	52	● 47-C2-20-16	50,60
25	12/16	55	58	● 47-C2-25-16	50,60
30	16/20	70	76	● 47-C2-30-20	51,50
40	20/25	85	85	● 47-C2-40-25	65,60
50	25/32	100	100	● 47-C2-50-32	87,10
60	25/32	125	125	● 47-C2-60-32	126,40



Typ C3, Axial-Werkzeughalter, überkopf, rechts

Type C3, axial tool holder, inverted, right-hand

d1 mm	h2 mm	b mm	a mm	Art.-Nr. / Order no.	EUR
16	10/12	44	43	● 47-C3-16-12	47,40
20	12/16	50	52	● 47-C3-20-16	50,60
25	12/16	55	58	● 47-C3-25-16	50,60
30	16/20	70	76	● 47-C3-30-20	51,50
40	20/25	85	85	● 47-C3-40-25	66,60
50	25/32	100	100	● 47-C3-50-32	89,30
60	25/32	125	125	● 47-C3-60-32	126,40

VDI-Halter

VDI-Tool holders



Typ C4, Axial-Werkzeughalter, überkopf, links

Type C4, axial tool holder, inverted, left-hand

d1 mm	h2 mm	b mm	a mm	Art.-Nr. / Order no.	EUR
16	10/12	44	43	● 47-C4-16-12	48,00
20	12/16	50	52	● 47-C4-20-16	50,60
25	12/16	55	58	● 47-C4-25-16	50,60
30	16/20	70	76	● 47-C4-30-20	51,50
40	20/25	85	85	● 47-C4-40-25	64,90
50	25/32	100	100	● 47-C4-50-32	87,10
60	25/32	125	125	● 47-C4-60-32	126,40



Typ D1, Vierkant-Mehrfach-Aufnahme

Type D1, multiple square tool holder

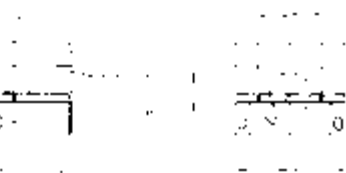
d1 mm	h2 mm	b mm	a mm	Art.-Nr. / Order no.	EUR
25	12/16	48	66	● 47-D1-25-16	81,70
30	16/20	60	76	● 47-D1-30-20	85,20
40	20/25	72	90	● 47-D1-40-25	94,60
50	25/32	85	105	● 47-D1-50-32	109,90



Typ D2, Vierkant-Mehrfach-Aufnahme, überkopf

Type D2, multiple square tool holder, inverted

d1 mm	h1 / h2 mm	b mm	a mm	Art.-Nr. / Order no.	EUR
25	12/16	48	66	● 47-D2-25-16	81,70
30	16/20	60	76	● 47-D2-30-20	85,20
40	20/25	72	90	● 47-D2-40-25	94,60
50	25/32	85	105	● 47-D2-50-32	109,90



Abstechhalter, rechts

Parting off tool holder, right-hand

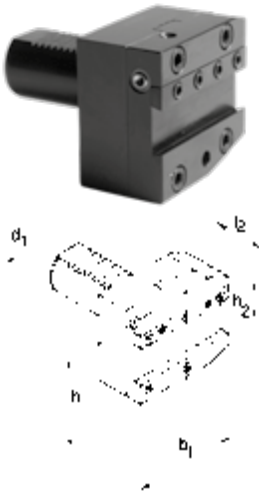
d1 mm	b1 mm	h mm	l2 mm	h2 mm	Art.-Nr. / Order no.	EUR
30	70	71	50	26	● 47-AR-30-26	208,80
40	85	84,5	50	26	● 47-AR-40-26	221,80
40	85	84,5	50	32	● 47-AR-40-32	221,80
50	100	88	50	32	● 47-AR-50-32	237,10
60	125	103	50	32	○ 47-AR-60-32	278,50



- Lagerstandard / in stock
- ▶ innerhalb weniger Tage / within a few days
- auf Anfrage / on request
- ✖ auslaufende Größe / as stock lasts

VDI-Halter

VDI-Tool holders



Abstechhalter, links

Parting off tool holder, left-hand

d1 mm	b1 mm	h mm	l2 mm	h2 mm	Art.-Nr. / Order no.	EUR
30	70	71	50	26	● 47-AL-30-26	208,80
40	85	84,5	50	26	● 47-AL-40-26	221,80
40	85	84,5	50	32	● 47-AL-40-32	221,80
50	100	88	50	26	● 47-AL-50-26	237,10
50	100	88	50	32	● 47-AL-50-32	237,10
60	125	103	50	32	○ 47-AL-60-32	278,50

Typ E1, Wendepplatten-Bohrerhalter, IK

Type E1, U-drill holder, IK



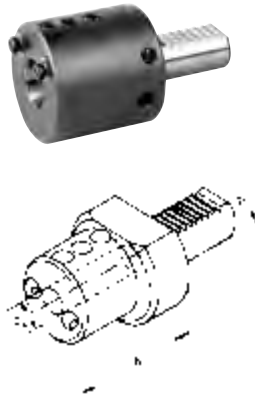
d1 mm	d2 mm	b mm	Art.-Nr. / Order no.	EUR
20	16	66	● 47-E1-20-16	47,20
20	20	67	● 47-E1-20-20	47,20
20	25	71	● 47-E1-20-25	47,20
25	20	67	● 47-E1-25-20	49,00
25	25	71	● 47-E1-25-25	49,00
30	10	66	● 47-E1-30-10	51,60
30	12	66	● 47-E1-30-12	51,60
30	16	66	● 47-E1-30-16	49,70
30	20	67	● 47-E1-30-20	51,60
30	25	71	● 47-E1-30-25	49,70
30	32	75	● 47-E1-30-32	49,70
30	40	90	● 47-E1-30-40	55,80
40	10	66	● 47-E1-40-10	55,10
40	12	66	● 47-E1-40-12	55,10
40	14	66	● 47-E1-40-14	55,10
40	16	66	● 47-E1-40-16	55,10
40	20	67	● 47-E1-40-20	55,10
40	25	75	● 47-E1-40-25	53,00
40	32	75	● 47-E1-40-32	53,00
40	40	90	● 47-E1-40-40	53,00
40	50	100	● 47-E1-40-50	63,20
50	20	67	● 47-E1-50-20	67,80
50	25	80	● 47-E1-50-25	68,00
50	32	80	● 47-E1-50-32	69,30
50	40	90	● 47-E1-50-40	72,20
50	50	100	● 47-E1-50-50	72,20
60	25	80	● 47-E1-60-25	94,60
60	32	80	● 47-E1-60-32	94,60
60	40	90	● 47-E1-60-40	94,60
60	50	100	● 47-E1-60-50	97,50

**Beliebige Innendurchmesser, Zwischengrößen, Zollmaße etc.
lieferbar auf Anfrage**
**Other internal diameters, intermediary bores, inch bores etc.
available upon request**

VDI-Halter

VDI-Tool holders

Typ E2, Bohrstangenhalter, IK/EK Type E2, boring bar holder, IC/EC



d1 mm	d2 mm	b mm	Art.-Nr. / Order no.	EUR
16	6	44	● 47-E2-16-06	44,90
16	8	44	● 47-E2-16-08	44,90
16	10	44	● 47-E2-16-10	44,90
16	12	44	● 47-E2-16-12	44,90
16	16	44	● 47-E2-16-16	44,90
20	8	50	● 47-E2-20-08	44,90
20	10	50	● 47-E2-20-10	44,90
20	12	50	● 47-E2-20-12	44,90
20	16	50	● 47-E2-20-16	44,90
20	20	50	● 47-E2-20-20	44,90
20	25	60	● 47-E2-20-25	44,90
25	8	50	○ 47-E2-25-08	47,40
25	10	50	○ 47-E2-25-10	47,40
25	12	50	○ 47-E2-25-12	47,40
25	16	50	● 47-E2-25-16	47,40
25	20	50	● 47-E2-25-20	47,40
25	25	60	● 47-E2-25-25	47,40
30	6	60	● 47-E2-30-06	49,00
30	8	60	● 47-E2-30-08	49,00
30	10	60	● 47-E2-30-10	45,60
30	12	60	● 47-E2-30-12	45,60
30	16	60	● 47-E2-30-16	45,60
30	20	60	● 47-E2-30-20	45,60
30	25	60	● 47-E2-30-25	45,60
30	32	75	● 47-E2-30-32	45,60
40	6	75	● 47-E2-40-06	60,20
40	8	75	● 47-E2-40-08	48,50
40	10	75	● 47-E2-40-10	44,80
40	12	75	● 47-E2-40-12	44,80
40	16	75	● 47-E2-40-16	44,80
40	20	75	● 47-E2-40-20	44,80
40	25	75	● 47-E2-40-25	44,80
40	32	75	● 47-E2-40-32	44,80
40	40	90	● 47-E2-40-40	44,80
40	50	90	● 47-E2-40-50	60,20
50	10	75	● 47-E2-50-10	72,30
50	12	90	● 47-E2-50-12	60,20
50	16	90	● 47-E2-50-16	60,20
50	20	90	● 47-E2-50-20	60,20
50	25	90	● 47-E2-50-25	60,20
50	32	90	● 47-E2-50-32	60,20
50	40	90	● 47-E2-50-40	60,20
50	50	100	● 47-E2-50-50	60,20
60	12	90	● 47-E2-60-12	114,00
60	16	90	● 47-E2-60-16	114,00
60	20	90	● 47-E2-60-20	114,00
60	25	90	● 47-E2-60-25	114,00
60	32	90	● 47-E2-60-32	114,00
60	40	90	● 47-E2-60-40	114,00
60	50	100	● 47-E2-60-50	124,10

**Beliebige Innendurchmesser, Zwischengrößen, Zollmaße etc.
lieferbar auf Anfrage**
**Other internal diameters, intermediary bores, inch bores etc.
available upon request**

- Lagerstandard / in stock
- ▶ innerhalb weniger Tage / within a few days
- auf Anfrage / on request
- ✖ auslaufende Größe / as stock lasts

VDI-Halter VDI-Tool holders



Typ E3, Spannzangenfutter OZ, für Spannzangen DIN 6388 Type E3, collet chucks OZ, for collets DIN 6388

d1 mm	OZ	d3 mm	Spannbereich / Clamping range	b mm	Art.-Nr. / Order no.	EUR
16	415 E	40	2-16	65	● 47-E3-16-16	84,10
20	415 E	50	2-16	57	● 47-E3-20-16	88,70
20	4541 E	50	4-20	62	● 47-E3-20-20	88,70
25	415 E	58	2-16	57	● 47-E3-25-16	98,80
30	462 E	68	2-25	75	● 47-E3-30-25	100,30
40	462 E	83	2-25	75	● 47-E3-40-25	104,30
40	467 E	83	4-32	90	● 47-E3-40-32	104,30
50	462 E	98	2-25	75	● 47-E3-50-25	110,60
50	467 E	98	4-32	90	● 47-E3-50-32	115,20
60	467 E	123	4-32	90	● 47-E3-60-32	127,10

Typ E4, Spannzangenfutter ER, für Spannzangen DIN 6499 Type E4, collet chucks ER, for collets DIN 6499



d1 mm	ER	d3 mm	Spannbereich / Clamping range	b mm	Art.-Nr. / Order no.	EUR
16	ER 16	40	1-10	40	● 47-E4-16-16	70,90
16	ER 20	40	1-13	44	● 47-E4-16-20	73,10
20	ER 16	50	1-10	40	● 47-E4-20-16	73,90
20	ER 20	50	1-13	44	● 47-E4-20-20	73,90
20	ER 25	50	1-16	54	● 47-E4-20-25	73,90
20	ER 32	50	2-20	40	● 47-E4-20-32	73,90
25	ER 25	58	1-16	57	● 47-E4-25-25	78,00
25	ER 32	58	2-20	62	● 47-E4-25-32	78,00
30	ER 25	68	1-16	53	● 47-E4-30-25	64,70
30	ER 32	68	2-20	62	● 47-E4-30-32	64,70
30	ER 40	68	2-25	53	● 47-E4-30-40	77,40
40	ER 25	83	1-16	53	● 47-E4-40-25	79,60
40	ER 32	83	2-20	84	● 47-E4-40-32	71,90
40	ER 40	83	2-25	75	● 47-E4-40-40	70,90
50	ER 32	98	2-20	84	● 47-E4-50-32	87,30
50	ER 40	98	2-25	90	● 47-E4-50-40	89,80
60	ER 40	123	2-25	75	● 47-E4-60-40	109,40

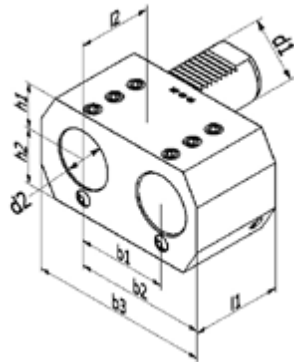
Typ E2S, Werkzeughalter geschlitzt, schwingungsarm Type E2S, toolholder slotted, reduced vibration



Typ / Type	d1 mm	d2 mm	d3 mm	l6 mm	Art.-Nr. / Order no.	EUR
30 x 6	30	6	30	57	● 47-E2S-30-06	69,20
30 x 8	30	8	30	57	● 47-E2S-30-08	69,20
30 x 10	30	10	36	57	● 47-E2S-30-10	69,20
30 x 12	30	12	36	57	● 47-E2S-30-12	69,20
30 x 16	30	16	40	57	● 47-E2S-30-16	69,20
30 x 20	30	20	44	57	● 47-E2S-30-20	69,20
30 x 25	30	25	49	72	● 47-E2S-30-25	70,90
30 x 32	30	32	56	72	● 47-E2S-30-32	70,90
40 x 10	40	10	36	62	● 47-E2S-40-10	72,60
40 x 12	40	12	36	62	● 47-E2S-40-12	72,60
40 x 16	40	16	40	62	● 47-E2S-40-16	72,60
40 x 20	40	20	44	62	● 47-E2S-40-20	72,60
40 x 25	40	25	49	77	● 47-E2S-40-25	76,00
40 x 32	40	32	56	77	● 47-E2S-40-32	76,00
40 x 40	40	40	64	77	● 47-E2S-40-40	76,00

VDI-Halter

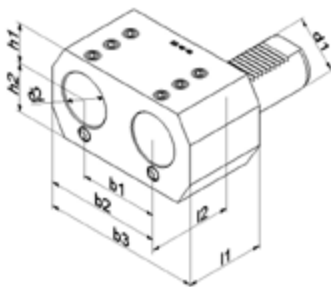
VDI-Tool holders



Typ E7, Doppel-Bohrstangenhalter

Typ E7, Boring bar holders with 2 bores

d1 mm	d2 mm	h1 mm	h2 mm	l1 mm	l2 mm	b1 mm	b2 mm	b3 mm	Art.-Nr. / Order no.	EUR
20	16	25	25	45	42	32	51	76	● 47-E7-20-16	111,30
20	20	25	25	45	42	32	51	76	● 47-E7-20-20	111,30
30	25	28	32	56	52	45	65	95	● 47-E7-30-25	133,40
40	32	32,5	40	66	60	50	75	115	● 47-E7-40-32	174,80
50	32	32,5	47,5	60	60	50	75	115	● 47-E7-50-32	177,30
50	40	42	46	66	60	68	103	145	● 47-E7-50-40	293,90
50	50	35	49	90	80	68	103	152	● 47-E7-50-50	293,90



Typ E8, Doppel-Bohrstangenhalter

Typ E8, Boring bar holders with 2 bores

d1 mm	d2 mm	h1 mm	h2 mm	l1 mm	l2 mm	b1 mm	b2 mm	b3 mm	Art.-Nr. / Order no.	EUR
20	16	25	25	45	42	32	51	76	● 47-E8-20-16	111,30
20	20	25	25	45	42	32	51	76	● 47-E8-20-20	111,30
30	25	28	32	56	52	45	65	95	● 47-E8-30-25	133,40
40	32	32,5	40	66	60	50	75	115	● 47-E8-40-32	174,60
50	32	32,5	47,5	60	60	50	75	115	● 47-E8-50-32	177,30
50	50	35	49	90	80	68	103	152	○ 47-E8-50-50	293,90

VDI-Halter

VDI-Tool holders



Typ F, Morsekegelaufnahme

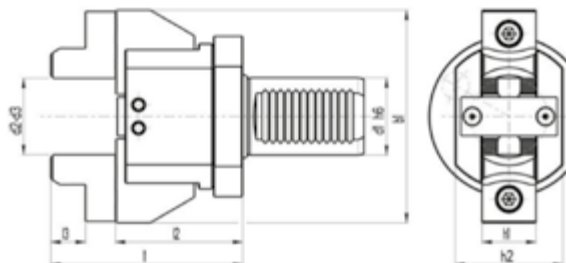
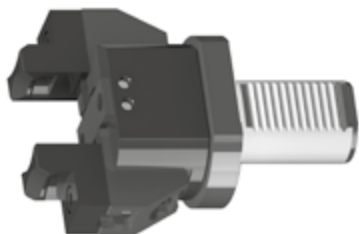
Type F, Morse taper holder

d1 mm	MK / MT	h mm	d2 mm	b mm	Art.-Nr. / Order no.	EUR
20	1	23	50	22	● 47-F20-1	47,40
20	2	23	50	90	● 47-F20-2	55,10
25	1	25	58	22	● 47-F25-1	55,10
25	2	25	58	46	● 47-F25-2	55,10
30	1	28	68	27	● 47-F30-1	49,90
30	2	28	68	36	● 47-F30-2	49,90
30	3	28	68	66	● 47-F30-3	51,50
40	1	32,5	83	36	● 47-F40-1	54,00
40	2	32,5	83	36	● 47-F40-2	51,20
40	3	32,5	83	50	● 47-F40-3	51,20
40	4	32,5	83	80	● 47-F40-4	51,20
50	2	35	98	36	● 47-F50-2	62,80
50	3	35	98	45	● 47-F50-3	62,80
50	4	35	98	55	● 47-F50-4	62,80
50	5	35	98	68	● 47-F50-5	80,90
60	3	42,5	123	36	● 47-F60-3	83,70
60	4	42,5	123	50	● 47-F60-4	83,70
60	5	42,5	123	81	● 47-F60-5	83,70

Stangengreifer Bar pullers

Stangengreifer, Typ SGF Bar pullers, type SGF

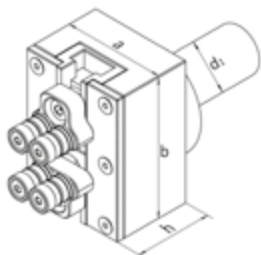
- für zwei Spannbereiche
- mit Wendebacken
- for two clamping ranges
- with reversible clamping jaws



d1 mm	Spannber. 1 / Clamp.range 1	Spannber. 2 / Clamp.range 2	h1 mm	h2 mm	L1 mm	L2 mm	L3 mm	b1 mm	Art.-Nr. / Order no.	EUR
Zyl. / cyl. 32	6-56	56-110	28	56	100	66	18	110	47-SGF32Z	549,20
20	6-56	56-110	28	56	100	66	18	110	47-SGF20	472,90
30	6-56	56-110	28	56	100	66	18	110	47-SGF30	523,50
40	6-56	56-110	28	56	100	66	18	110	47-SGF40	568,40
50	6-56	56-110	28	56	100	66	18	110	47-SGF50	759,40

Stangengreifer, Typ SG25 Bar pullers, type SG25

- zylindrische Aufnahme D25 mit Spannfläche
- mit diamantbeschichteten Rollen für sicheren Halt, minimiert das Risiko einer Beschädigung des Rohmaterials
- stufenlose Einstellung auf jeden Durchmesser mit Hilfe der angebrachten Skala
- großer Spannbereich, verstellbar 1-70 mm, schnelle Verstellung des neuen Spannbereichs
- kompaktes Aluminium-Leichtgehäuse, blau eloxiert
- Lieferumfang: Stangengreifer inkl. 1 Paar Spannbacken mit diamantbeschichteten Rollen, 1 Paar feste Standardbacken, Bedienschlüssel
- cylindrical mounting D25 with clamping flat
- with diamond-coated rollers for an excellent grip, minimizing the damage risk for the clamped material
- any diameter is infinitely adjustable by means of a scale
- large clamping range from 1-70 mm, fast resetting of clamping range
- light-weight aluminium body, blue anodized
- scope of delivery: bar puller including 1 pair of jaws with diamond-coated rollers, 1 pair of fixed standard jaws, setting tools

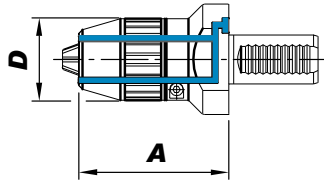


d1	Spannbereich / Clamping range	a mm	b mm	h mm	Art.-Nr. / Order no.	EUR
25	1-70	55	75	42	47-SG25-70	485,90

- Lagerstandard / in stock
- ▶ innerhalb weniger Tage / within a few days
- auf Anfrage / on request
- ✖ auslaufende Größe / as stock lasts

Kurzbohrfutter VDI

Universal drill chucks VDI



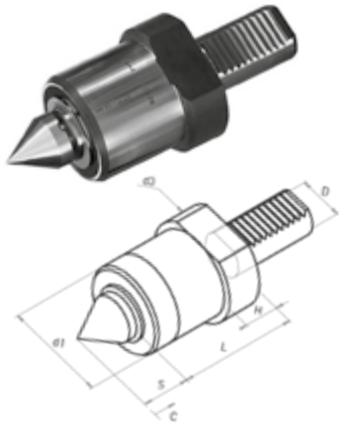
DIN 69880 (VDI) - mit Kühlmitteldüsen
DIN 69880 (VDI) - with coolant nozzles



VDI	Spannweite / Capacity mm	A mm	D mm	Art.-Nr. / Order no.	EUR
16	1-10	43,7	40	* 82-341016	200,10
20	1-10	43,7	50	* 82-341020	194,60
25	1-13	87	50	* 82-341325	207,50
30	1-13	87	50	82-341330	204,40
30	1-16	92	55	82-341630	217,90
40	1-13	88	50	82-341340	208,80
40	1-16	93	55	82-341640	218,80
50	1-16	101,5	55	82-341650	254,90

Mitlaufende Zentrierspitze mit VDI-Schaft

Revolving tailstock centres with VDI shank



Gefedert
Spring-loaded

- speziell für den Einsatz auf CNC-Drehmaschinen
- für auswechselbare Einsätze
- Lieferung mit 1 Standardinsert (Fig. 1)
- especially for the use on CNC lathes
- for interchangeable inserts
- delivered with 1 standard insert (Fig. 1)

D	d1 mm	d3 mm	L mm	H mm	S mm	Federweg / Travelstroke max.	Art.-Nr. / Order no.	EUR
30	58	68	78	20	34	2,5	47-MZ2-30	380,20
40	58	83	80	22	34	2,5	47-MZ2-40	393,10

Einsätze
Inserts

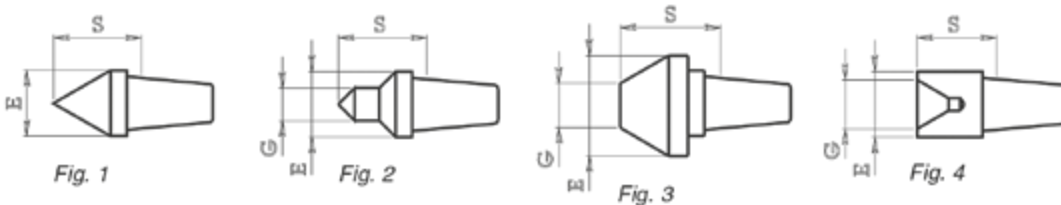
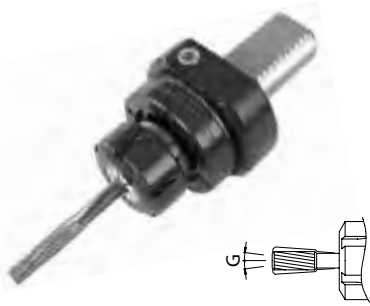


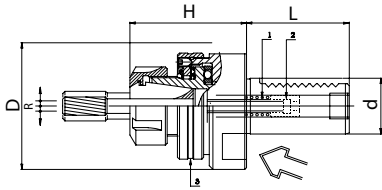
Abb. / Fig.	E mm	S mm	G mm	Art.-Nr. / Order no.	EUR
1	28	34	-	47-MZ2-E1	56,70
2	28	40	7	47-MZ2-E2	78,20
2	28	40	12	47-MZ2-E3	72,20
3	58	36	25	47-MZ2-E4	91,80

Pendelhalter mit VDI-Schaft Floating chucks with VDI shank



Pendelhalter mit Innenkühlung Floating chucks with internal cooling

- mit einstellbarem Radialspiel
- Einstellbereiche: Freipendeln und Parallelpendeln
- Federkraft, Zentrierkraft und Freipendeln einstellbar
- radial clearance adjustable
- application: free and parallel floating
- spring force, centering force and floating adjustable



d	Spannzange / Collet	D mm	H mm	L mm	R max mm	G max mm	Art.-Nr. / Order no.	EUR
30	ER 25	68	64	55	1	1,5	▶ 47-PH-30-25	266,40
30	ER 32	68	72	55	1,5	1,5	▶ 47-PH-30-32	297,10
40	ER 32	83	74	63	1,5	1,5	▶ 47-PH-40-32	297,10
40	ER 40	83	74	63	1,5	1,5	▶ 47-PH-40-40	366,40

Räumwerkzeughalter mit VDI-Schaft Broach tool holders with VDI shank



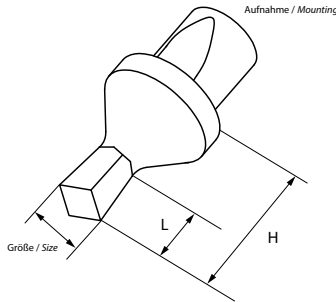
Räumwerkzeughalter Broach tool holders

D	d1 mm	d2 mm	L mm	H mm	Aufnahme / Mounting	Art.-Nr. / Order no.	EUR
30	58	68	83	25	Ø 12	▶ 47-RHV-30-12	267,30
30	58	68	83	40	Ø 16	▶ 47-RHV-30-16	285,60
40	58	83	83	25	Ø 12	▶ 47-RHV-40-12	306,00
40	58	83	83	40	Ø 16	▶ 47-RHV-40-16	306,00

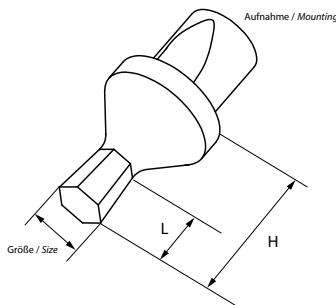
Räumstempel Broaching cutters



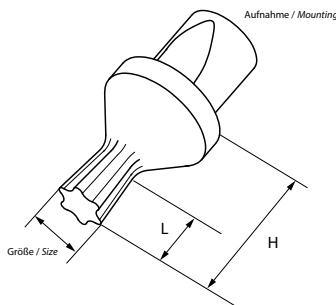
Räumstempel passend zu Aufnahme-Ø 12 Broaching cutters fitting to mounting-Ø 12



Form / Form	Größe / Size	H mm	L mm	Art.-Nr. / Order no.	EUR
Vierkant / Square	3	25	5	47-RST12/4-3.0	43,00
Vierkant / Square	4	25	6,5	47-RST12/4-4.0	43,00
Vierkant / Square	5	25	8,5	47-RST12/4-5.0	43,00
Vierkant / Square	5,5	25	9,5	47-RST12/4-5.5	43,00
Vierkant / Square	6	25	10,5	47-RST12/4-6.0	43,00
Vierkant / Square	7	25	13	47-RST12/4-7.0	46,80
Vierkant / Square	8	25	15,5	47-RST12/4-8.0	46,80
Vierkant / Square	9	25	21	47-RST12/4-9.0	52,10
Vierkant / Square	10	25	21	47-RST12/4-10.0	52,10
Vierkant / Square	11	25	21	47-RST12/4-11.0	62,50
Vierkant / Square	12	25	21	47-RST12/4-12.0	62,50
Vierkant / Square	13	25	21	47-RST12/4-13.0	75,50



Form / Form	Größe / Size	H mm	L mm	Art.-Nr. / Order no.	EUR
Sechskant / Hexagonal	1,5	25	3	47-RST12/6-1.5	37,80
Sechskant / Hexagonal	2	25	3,5	47-RST12/6-2.0	37,80
Sechskant / Hexagonal	2,5	25	4	47-RST12/6-2.5	37,80
Sechskant / Hexagonal	3	25	5	47-RST12/6-3.0	37,80
Sechskant / Hexagonal	3,5	25	6	47-RST12/6-3.5	37,80
Sechskant / Hexagonal	4	25	6,5	47-RST12/6-4.0	37,80
Sechskant / Hexagonal	5	25	8,5	47-RST12/6-5.0	37,80
Sechskant / Hexagonal	5,5	25	9,5	47-RST12/6-5.5	37,80
Sechskant / Hexagonal	6	25	10,5	47-RST12/6-6.0	37,80
Sechskant / Hexagonal	7	25	13	47-RST12/6-7.0	39,10
Sechskant / Hexagonal	8	25	15,5	47-RST12/6-8.0	39,10
Sechskant / Hexagonal	9	25	21	47-RST12/6-9.0	43,00
Sechskant / Hexagonal	10	25	21	47-RST12/6-10.0	43,00
Sechskant / Hexagonal	11	25	21	47-RST12/6-11.0	45,60
Sechskant / Hexagonal	12	25	21	47-RST12/6-12.0	45,60
Sechskant / Hexagonal	13	25	21	47-RST12/6-13.0	49,50
Sechskant / Hexagonal	14	25	21	47-RST12/6-14.0	49,50

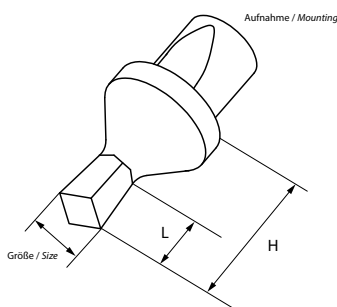


Form / Form	Größe / Size	H mm	Art.-Nr. / Order no.	EUR
Torx / Torx	6	25	47-RST12/T-6.0	49,50
Torx / Torx	8	25	47-RST12/T-8.0	49,50
Torx / Torx	10	25	47-RST12/T-10.0	49,50
Torx / Torx	15	25	47-RST12/T-15.0	49,50
Torx / Torx	20	25	47-RST12/T-20.0	49,50
Torx / Torx	25	25	47-RST12/T-25.0	49,50
Torx / Torx	27	25	47-RST12/T-27.0	49,50
Torx / Torx	30	25	47-RST12/T-30.0	53,40
Torx / Torx	40	25	47-RST12/T-40.0	59,90
Torx / Torx	45	25	47-RST12/T-45.0	65,10
Torx / Torx	50	25	47-RST12/T-50.0	70,30

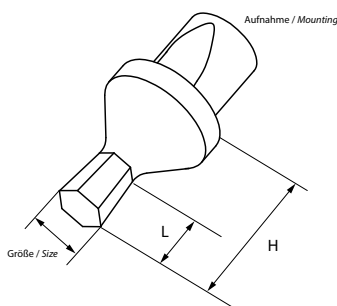
Räumstempel Broaching cutters



Räumstempel passend zu Aufnahme-Ø 16 Broaching cutters fitting to mounting-Ø 16



Form / Form	Größe / Size	H mm	L mm	Art.-Nr. / Order no.	EUR
Vierkant / Square	3	40	5	▶ 47-RST16/4-3.0..	57,30
Vierkant / Square	4	40	6,5	▶ 47-RST16/4-4.0..	57,30
Vierkant / Square	5	40	8,5	▶ 47-RST16/4-5.0..	57,30
Vierkant / Square	6	40	10,5	▶ 47-RST16/4-6.0..	57,30
Vierkant / Square	7	40	13	▶ 47-RST16/4-7.0..	57,30
Vierkant / Square	8	40	15,5	▶ 47-RST16/4-8.0..	57,30
Vierkant / Square	9	40	17,5	▶ 47-RST16/4-9.0..	65,10
Vierkant / Square	10	40	18,5	▶ 47-RST16/4-10.0..	65,10
Vierkant / Square	11	40	20	▶ 47-RST16/4-11.0..	70,30
Vierkant / Square	12	40	20	▶ 47-RST16/4-12.0..	70,30
Vierkant / Square	13	40	28	▶ 47-RST16/4-13.0..	72,90
Vierkant / Square	14	40	32	▶ 47-RST16/4-14.0..	72,90
Vierkant / Square	15	40	32	▶ 47-RST16/4-15.0..	80,70
Vierkant / Square	16	40	32	▶ 47-RST16/4-16.0..	80,70
Vierkant / Square	17	40	32	▶ 47-RST16/4-17.0..	97,60
Vierkant / Square	18	40	32	▶ 47-RST16/4-18.0..	97,60
Vierkant / Square	19	40	32	▶ 47-RST16/4-19.0..	104,10
Vierkant / Square	20	40	32	▶ 47-RST16/4-20.0..	104,10



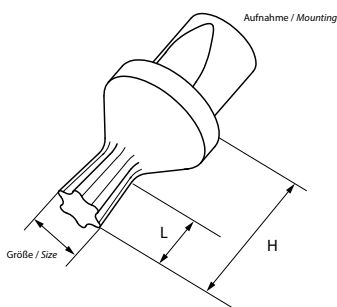
Form / Form	Größe / Size	H mm	L mm	Art.-Nr. / Order no.	EUR
Sechskant / Hexagonal	3	40	5	▶ 47-RST16/6-3.0..	46,80
Sechskant / Hexagonal	3,5	40	6	▶ 47-RST16/6-3.5..	46,80
Sechskant / Hexagonal	4	40	6,5	▶ 47-RST16/6-4.0..	46,80
Sechskant / Hexagonal	5	40	8,5	▶ 47-RST16/6-5.0..	46,80
Sechskant / Hexagonal	6	40	10,5	▶ 47-RST16/6-6.0..	46,80
Sechskant / Hexagonal	7	40	13	▶ 47-RST16/6-7.0..	46,80
Sechskant / Hexagonal	8	40	15,5	▶ 47-RST16/6-8.0..	46,80
Sechskant / Hexagonal	9	40	17,5	▶ 47-RST16/6-9.0..	54,70
Sechskant / Hexagonal	10	40	18,5	▶ 47-RST16/6-10.0..	54,70
Sechskant / Hexagonal	11	40	20	▶ 47-RST16/6-11.0..	59,90
Sechskant / Hexagonal	12	40	20	▶ 47-RST16/6-12.0..	59,90
Sechskant / Hexagonal	13	40	28	▶ 47-RST16/6-13.0..	59,90
Sechskant / Hexagonal	14	40	32	▶ 47-RST16/6-14.0..	59,90
Sechskant / Hexagonal	15	40	32	▶ 47-RST16/6-15.0..	67,70
Sechskant / Hexagonal	16	40	32	▶ 47-RST16/6-16.0..	67,70
Sechskant / Hexagonal	17	40	32	▶ 47-RST16/6-17.0..	74,20
Sechskant / Hexagonal	18	40	32	▶ 47-RST16/6-18.0..	74,20
Sechskant / Hexagonal	19	40	32	▶ 47-RST16/6-19.0..	82,00
Sechskant / Hexagonal	20	40	32	▶ 47-RST16/6-20.0..	82,00
Sechskant / Hexagonal	21	40	32	▶ 47-RST16/6-21.0..	104,10
Sechskant / Hexagonal	22	40	32	▶ 47-RST16/6-22.0..	104,10
Sechskant / Hexagonal	23	40	32	▶ 47-RST16/6-23.0..	104,10
Sechskant / Hexagonal	24	40	32	▶ 47-RST16/6-24.0..	104,10
Sechskant / Hexagonal	25	40	32	▶ 47-RST16/6-25.0..	104,10

- Lagerstandard / in stock
- ▶ innerhalb weniger Tage / within a few days
- auf Anfrage / on request
- * auslaufende Größe / as stock lasts

Räumstempel Broaching cutters

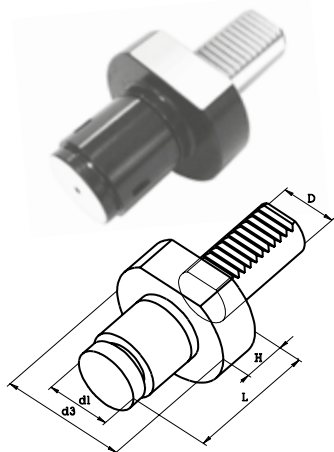


Räumstempel passend zu Aufnahme-Ø 16 Broaching cutters fitting to mounting-Ø 16



Form / Form	Größe / Size	H mm	Art.-Nr. / Order no.	EUR
Torx / Torx	6	40	▶ 47-RST16/T-10,0	65,10
Torx / Torx	8	40	▶ 47-RST16/T-15,0	65,10
Torx / Torx	10	40	▶ 47-RST16/T-20,0	65,10
Torx / Torx	15	40	▶ 47-RST16/T-25,0	65,10
Torx / Torx	20	40	▶ 47-RST16/T-27,0	65,10
Torx / Torx	25	40	▶ 47-RST16/T-30,0	65,10
Torx / Torx	27	40	▶ 47-RST16/T-40,0	75,50
Torx / Torx	30	40	▶ 47-RST16/T-45,0	91,10
Torx / Torx	40	40	▶ 47-RST16/T-50,0	91,10
Torx / Torx	45	40	▶ 47-RST16/T-55,0	97,60
Torx / Torx	50	40	▶ 47-RST16/T-60,0	104,10

Werkstückanschlag mit VDI-Schaft Work piece stops with VDI shank



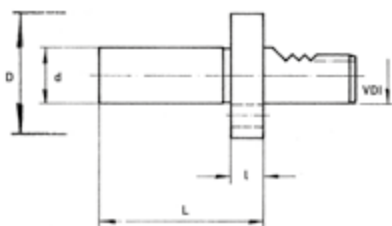
Mitlaufende Werkstückanschläge Revolving work piece stops

- gefedert

- spring-loaded

D	d1 mm	d3 mm	L mm	H mm	Federweg / Stroke mm	Art.-Nr. / Order no.	EUR
20	35	50	58	16	3	▶ 47-MW-2035	158,40
20	56	50	58	16	3	▶ 47-MW-2056	170,30
30	35	68	70	20	3	▶ 47-MW-3035	161,80
30	56	68	70	20	3	▶ 47-MW-3056	170,30
40	44	83	78	22	3	▶ 47-MW-4044	218,40
40	60	83	78	22	3	▶ 47-MW-4060	222,50

Prüfdorne Test arbors

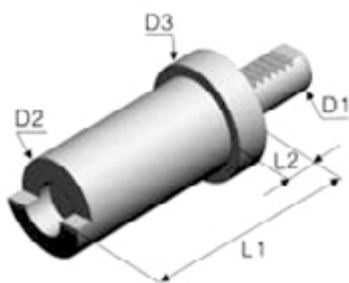


Prüfdorne - DIN 69880 (VDI) Test arbors - DIN 69880 (VDI)



VDI mm	d mm	D mm	L mm	l mm	Art.-Nr. / Order no.	EUR
16	30	40	120	15	● 83-PD-16-30	163,50
20	40	50	150	15	● 83-PD-20-40	172,10
25	40	58	150	15	● 83-PD-25-40	195,80
30	40	68	200	15	● 83-PD-30-40	185,60
40	40	83	200	15	● 83-PD-40-40	196,20
50	40	98	200	15	● 83-PD-50-40	222,00

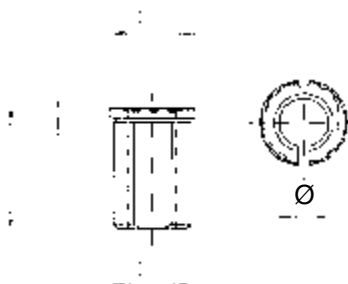
Einrichtehalter Setting holders



Einrichtehalter Setting holders

D1 mm	D2 mm	D3 mm	L1 mm	L2 mm	Art.-Nr. / Order no.	EUR
16	30	40	100	15	▶ 47-EH-16	74,00
20	40	50	100	15	▶ 47-EH-20	92,80
25	40	58	100	15	▶ 47-EH-25	105,80
30	40	68	100	15	▶ 47-EH-30	119,80
40	40	83	100	15	▶ 47-EH-40	143,00
50	40	98	100	15	▶ 47-EH-50	180,90
60	40	123	100	15	▶ 47-EH-60	220,10

Zubehör für VDI-Halter Accessories for VDI-tool holders

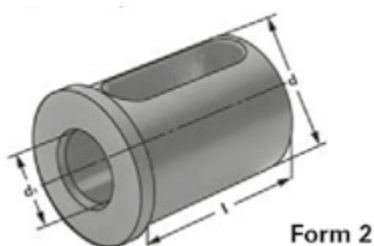
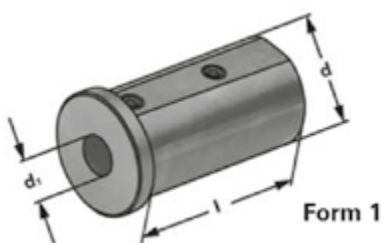


Reduzierbuchsen RZ, geschlitzt Reduction sleeves RZ, slotted

d1 mm	Ø mm	d3 mm	l1 mm	l2 mm	Art.-Nr. / Order no.	EUR
20	8, 10, 12, 14, 16	24	50	4	47-RZ-20-Ø	19,60
25	8, 10, 12, 14, 16, 18, 20	29	50	4	47-RZ-25-Ø	20,50
32	8, 10, 12, 14, 16, 18, 20, 25	36	60	4	47-RZ-32-Ø	20,50
40	10, 12, 14, 16, 18, 20, 25, 32	44	75	4	47-RZ-40-Ø	22,50
50	20, 25, 32, 40	54	75	4	47-RZ-50-Ø	30,90
60	25, 32, 40, 50	64	75	4	47-RZ-60-Ø	39,30

Reduzierbuchsen für Bohrstangenhalter Typ E2 Reduction sleeves for boring bar holders type E2

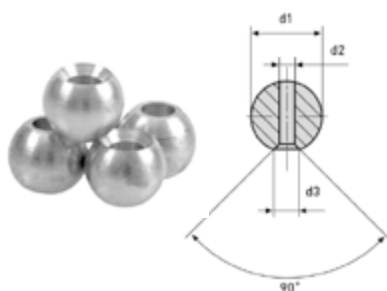
- Reduzierung zum Spannen von Werkzeugen mit Zylinderschaft
- reduction sleeve for clamping of tool holders with cylindrical shank



d mm	d1 mm	l mm	Form / Form	Art.-Nr. / Order no.	EUR
25	6	46	1	47-KRH-25-06	21,10
25	8	46	1	47-KRH-25-08	21,10
25	10	46	1	47-KRH-25-10	21,10
25	12	46	1	47-KRH-25-12	21,10
25	16	46	2	47-KRH-25-16	21,10
25	20	46	2	47-KRH-25-20	21,10
32	6	56	1	47-KRH-32-06	21,70
32	8	56	1	47-KRH-32-08	21,70
32	10	56	1	47-KRH-32-10	21,70
32	12	56	1	47-KRH-32-12	21,70
32	16	56	2	47-KRH-32-16	21,70
32	20	56	2	47-KRH-32-20	21,70
32	25	56	2	47-KRH-32-25	21,70
40	6	71	1	47-KRH-40-06	23,20
40	8	71	1	47-KRH-40-08	23,20
40	10	71	1	47-KRH-40-10	23,20
40	12	71	1	47-KRH-40-12	23,20
40	16	71	2	47-KRH-40-16	23,20
40	20	71	2	47-KRH-40-20	23,20
40	25	71	2	47-KRH-40-25	23,20
40	32	71	2	47-KRH-40-32	23,20

Kugelspritzdüsen Ball spray nozzles

- Material: Messing
- material: brass



d1 mm	d2 mm	d3 mm	VE / Set	Art.-Nr. / Order no.	EUR
8	3,5	5,5	10 Stk. / 10 pcs.	47-KD-8	24,30
10	5	7	10 Stk. / 10 pcs.	47-KD-10	24,30
14	6	9	10 Stk. / 10 pcs.	47-KD-14	24,30

Abgabe nur in VE à 10 Stück, Preis versteht sich für 10 Stück
Only available in sets of 10 pieces, price refers to 10 pieces

Zubehör für VDI-Halter Accessories for VDI-tool holders

O-Ringe O-rings



Für / For	VE / Set	Art.-Nr. / Order no.	EUR
VDI 16	10 Stk. / 10 pcs.	● 47-OR-VDI16	3,80
VDI 20	10 Stk. / 10 pcs.	● 47-OR-VDI20	3,60
VDI 25	10 Stk. / 10 pcs.	● 47-OR-VDI25	5,40
VDI 30	10 Stk. / 10 pcs.	● 47-OR-VDI30	5,40
VDI 40	10 Stk. / 10 pcs.	● 47-OR-VDI40	7,50
VDI 50	10 Stk. / 10 pcs.	● 47-OR-VDI50	7,50
VDI 60	10 Stk. / 10 pcs.	● 47-OR-VDI60	8,80

Abgabe nur in VE à 10 Stück, Preis versteht sich für 10 Stück
Only available in sets of 10 pieces, price refers to 10 pieces

Schutzstopfen Protective plugs



Schutzstopfen Z2, Stahl Protective plug Z2, steel

d mm	D mm	l mm	Art.-Nr. / Order no.	EUR
16	40	13	● 47-Z2-16S	16,00
20	50	16	● 47-Z2-20S	16,00
25	58	16	● 47-Z2-25S	18,80
30	68	16	● 47-Z2-30S	17,70
40	83	20	● 47-Z2-40S	20,00
50	98	20	● 47-Z2-50S	23,70
60	123	20	● 47-Z2-60S	30,90

Schutzstopfen Z2, Kunststoff Protective plug Z2, plastic



d mm	D mm	l mm	Art.-Nr. / Order no.	EUR
16	40	13	● 47-Z2-16K	7,70
20	50	16	● 47-Z2-20K	5,20
25	58	16	● 47-Z2-25K	9,50
30	68	16	● 47-Z2-30K	6,00
40	83	20	● 47-Z2-40K	6,00
50	98	20	● 47-Z2-50K	12,60
60	123	20	● 47-Z2-60K	14,00