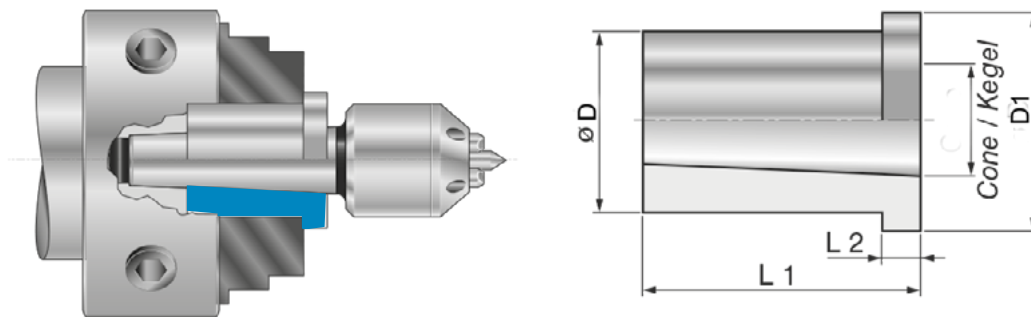


Kegelhülsen Conic bushes

Kegelhülsen, zylindrisch mit Innenkegel (MK) Conic bushes, cylindrical with internal taper (MT)



MK / MT	L1 mm	L2 mm	Ø D mm	D1 mm	kg	Art.-Nr./ Order no.	EUR
3	65	8	35	44	0,3	▶ 03-KH-3	116,50
4	70	8	42	49	0,45	▶ 03-KH-4	134,40
5	80	10	54	59	0,6	▶ 03-KH-5	174,60
6	85	10	75	84	0,75	▶ 03-KH-6	288,20