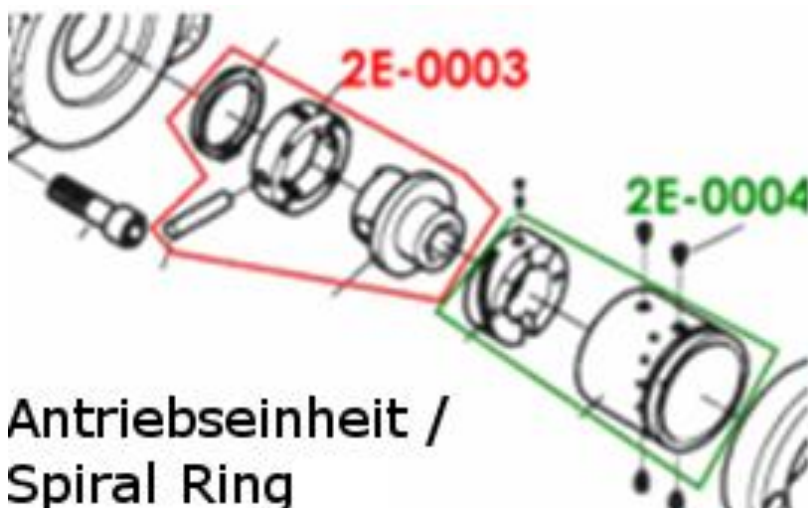
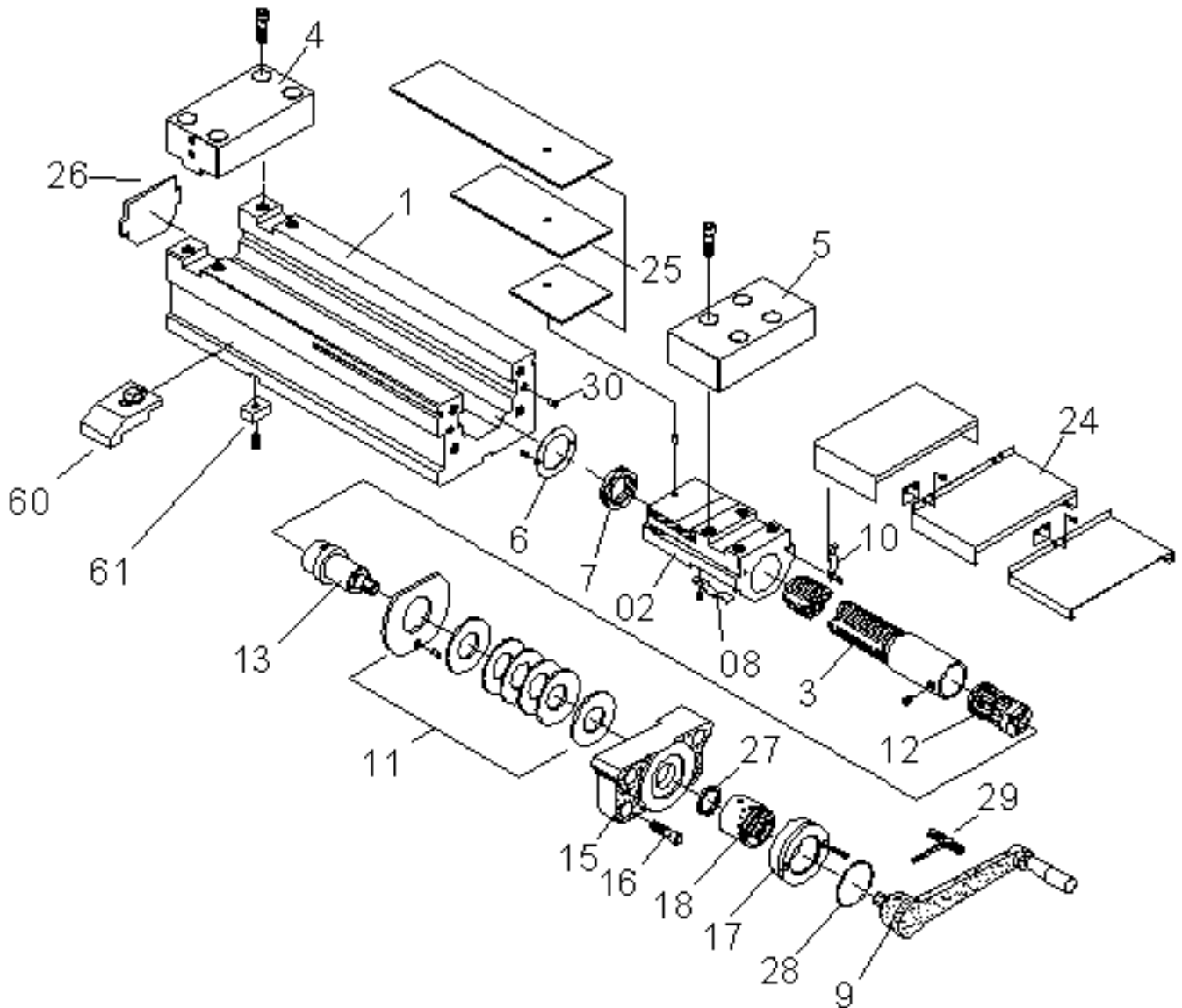


Schraubstock / Vice Typ / Type MC2



N°	Bezeichnung / description	Typ	Menge /Qty
01	Grundkörper / Base	1AE-00069 125 mm	1
		1AE-00001 160 mm	
		1AE-00054 200 mm	
02	Spindelmutter / Sliding Stock	1AE-00070 125 mm	1
		1AE-00002 160 mm	
		1AE-00055 200 mm	
03	Gewindespindel / Screw Rod Spindle	1AE-00071 125 mm	1
		1AE-00003 160 mm	
		1AE-00056 200 mm	
04	Feste Backe / Fixed Jaw	1AE-00072 125 mm	1
		1AE-00005 160 mm	
		1AE-00057 200 mm	
05	Bewegliche Backe / Movable Jaw	1AE-00073 125 mm	1
		1AE-00006 160 mm	
		1AE-00058 200 mm	
06	Staubdichtung 1 / Dust Protective Washer	1AE-00074 125 mm	1
		1AE-00007 160/200 mm	
07	Staubdichtung 2 / Dust Protective Flake	1AE-00008	1
		0S-W1.5D44N70	1
08	Blattfeder / Leaf Spring	1AE-00075 125 mm	2
		1AE-00010 160/200 mm	
09	Handkurbel / Handle Set	2AE-00006	1
10	Blattfeder / Leaf Spring	1AE-00077 125 mm	2
		1AE-00016 160/200 mm	
11	Federpaket / Disc Spring Washer	1AE-00078 125 mm	1
		1AE-00017 160/200 mm	
		1AE-00079 125 mm	3
		1AE-00018 160 mm	2
		1AE-00093 200 mm	2
		1AE-00080 125 mm	3
		0H-DSP35.5-0001 160 mm	5
0H-DSP41-0002 200 mm	4		
12	Kraftverstärker / Toggle Joint	2AE-00001	1
13	Druckspindel / Inner Spindle	2AE-00002	1
15	Spindellager / Master Screw Rod Metal Cover	1AE-00081 125 mm	1
		1AE-00032 160 mm	
		1AE-00060 200 mm	
16	Schraube für Spindellager / Screw for Master Screw Rod Metal	KM120045	2
		KM120030	2

17	Abdeckring / Cover Ring	1AE-00082 125 mm	1
		1AE-00033 160/200 mm	1
18	Antriebseinheit / Spiral Ring	2AE-00003	1
		2AE-00004	1
24	Teleskopabdeckung / Telescopic Cover	2AE-00019 125 mm	1
		2AE-00025 160 mm	
		2AE-00034 200 mm	
25	Abdeckblech / Slide Cover	2AE-00020 125 mm	1
		2AE-00026 160 mm	
		2AE-00035 200 mm	
27	C-Ring	0H-STW032	1
28	O-Ring	0S-W2D49.5N70	1
29	Sechskantschlüssel / Hex. Socket Wrench	1WR-00052	1
30	Pin	1AE-00053	2
60	Spannpratze / Clamp	2AC-00006	1
61	Passtein / Guide Block	2AC-00005	1